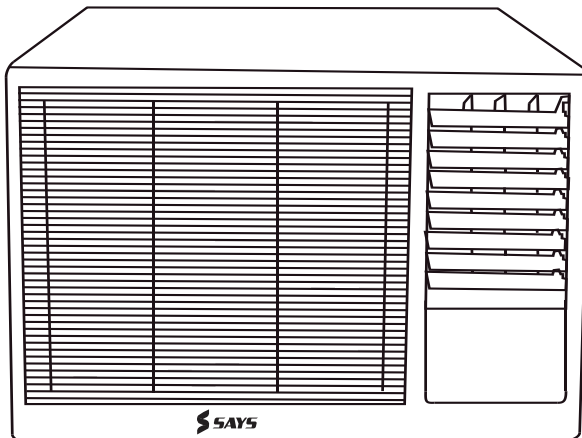
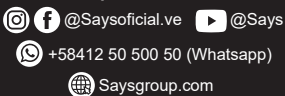




User Manual
Air Conditioner Window Type
AVT-1800SCW



Learn more about us
Follow us!



 Saysgroup.com



Please, read carefully this manual before to use this unit.
Keep safe this manual for future references.

Table of Contents

	Page
Introduction	2
Operating Instructions	3
Electrical Specifications	4
Installation Instructions	5
Care and Maintenance	8
Trouble Shooting Guide	9
Warranty and customer service.....	10

Introduction

► For mechanical control model

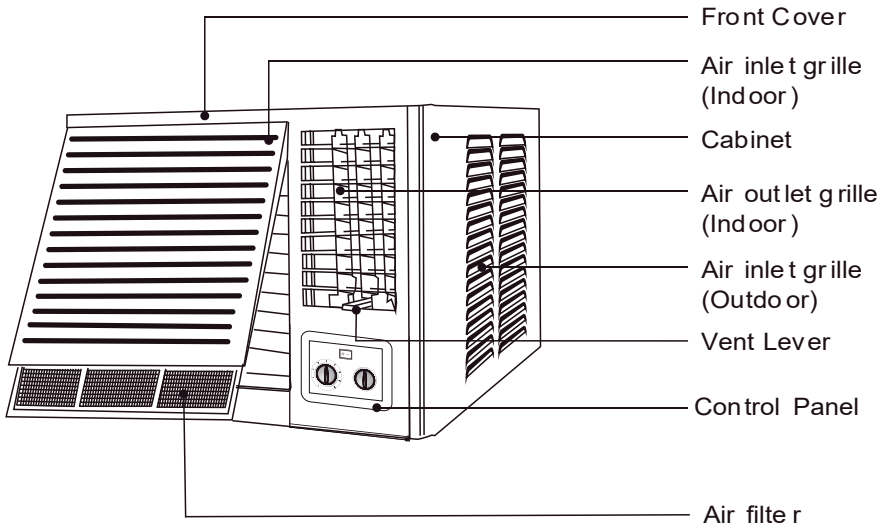


Fig.2

Note:

The figures in this manual are based on the external view of a standard model. Consequently, the shape may differ from that of the air conditioner you have selected.

In quiet operation or stopping the operation, the following phenomena may occasionally occur, but this is normal for operation.

- (1) Slight flowing noise of refrigerant in the refrigerating cycle
- (2) Slight rubbing noise from fan casing which is cooled and then gradually warmed as operation stops.

Operating Instructions

► For mechanical control model

Operation

The mode knob controls fan speeds and cooling speeds. To set desired cooling temperature, simply rotate the mode knob to the appropriate setting.

AUTO SWING Switch

When the Swing switch is turned to the "ON" position, the vertical louvers automatically oscillate sweeping the cold air for comfortable cooling.

The vertical louvers may be stopped at any position when the Swing switch is turned "OFF".

Thermostat

The thermostat automatically controls the cooling cycle (compressor) of the air conditioner to maintain room temperature. However, the fan motor will continue to operate after the compressor (cooling cycle) is completed.

Low Fan will circulate the air at a minimum speed without cooling.

Med Fan will circulate the air at a medium speed without cooling.

High Fan will circulate the air at a maximum speed without cooling.

Low Cool provides cooling, automatically with minimum air circulation. Recommended for night-time use.

Med Cool provides cooling, automatically with medium air circulation. Recommended for night-time use.

High Cool provides cooling, automatically with quick cooling or for extremely hot days. Once room is cooled, reduce setting to Low Cool.

Low Heat provides heating, automatically with minimum air circulation. Recommended for night-time use.

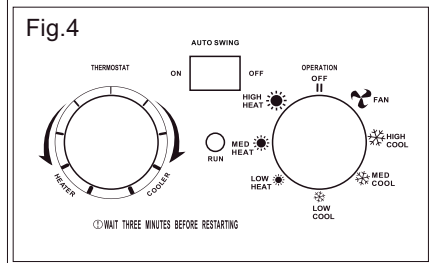
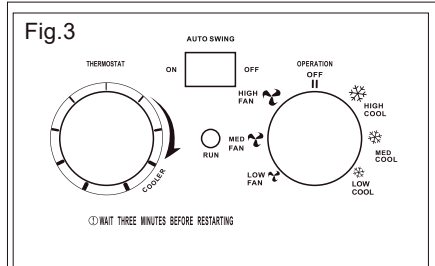
Med Heat provides heating, automatically with medium air circulation. Recommended for night-time use.

High Heat provides heating, automatically with quick heating or for extremely hot days. Once room is cooled, reduce setting to Low heat.

OFF will completely shut-off the unit.

NOTE: After setting the mode, allow 3 minutes before switching to another mode.

Fresh Air Ventilation is usually kept in the closed position. Use only when clearing smoke and/or odors from the room.

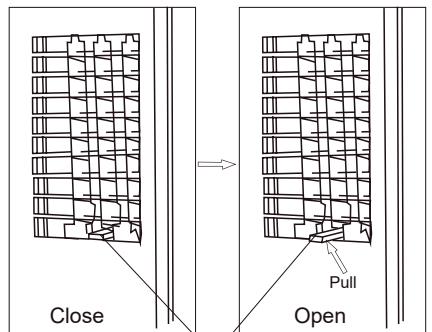


Based on real subject

▲ CAUTION ▲

When using FAN control, turn slowly allowing unit to adjust.

When using THERMOSTAT, be sure to allow three minutes before changing temperature. Adjusting too quickly may cause an overload resulting in a blown fuse.



Fresh Air Vent Lever

Electrical specifications

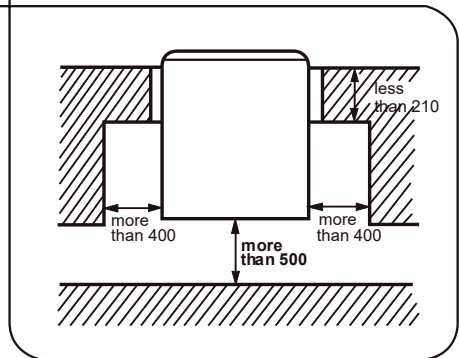
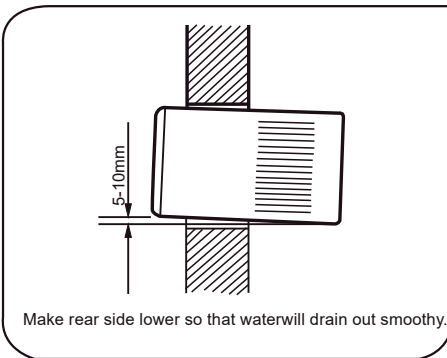
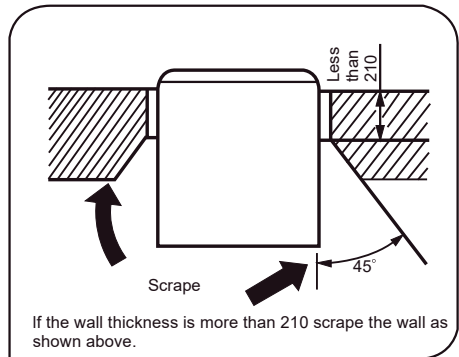
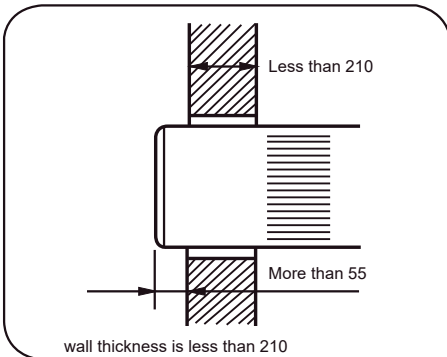
1. All wiring must comply with local and national electrical codes and must be installed by a qualified electrician. If you have any questions regarding the following instructions, contact a qualified electrician.
2. Check available power supply and resolve any wiring problems BEFORE installing and operating this unit.
3. For your safety and protection. This unit is grounded through the power cord when plugged into a matching wall outlet. If you are not sure whether your wall outlet is properly grounded, please consult a qualified electrician.
4. The rating plate on the unit contains electrical and other technical data. The rating plate is located on the right side of the unit. Make sure to use correct power supply according to the rating plate of your air conditioner.

Installation instructions

REMOVE ALL THE SHIPPING PARTS BEFORE INSTALLATION

LOCATION

- Select a location that can support the weight of the air conditioner and one that will not cause increased operation noise and vibration.
- Direct sunlight is unfavorable for efficient cooling.
- Select a place where there is no obstacles near the air inlet and outlet.



Installation instructions

CAUTION

- The installation parts must be strong against corrosion, especially in case the air conditioner will be installed near the sea or hot spring.
- Do not install air conditioner in the place where inflammable gas leaks are a possibility.
The minimum clearance from the appliance to combustible surfaces is 100mm;
- (Only for Electric heating)
The range of external static pressures at which the appliance was tested is 0-5Pa

OPERATION

- Check the capacity of wiring and power outlet. The power outlet should be used exclusively for the air conditioner. Do not use it with other appliances.
- Ground the air conditioner to prevent danger of electric shock.
- Connect the air conditioner with power source securely.
- Use a fuse as below.

CAUTION

- Before installation, turn off the operation switch and disconnect the power cord.
- This appliance is not intended for use by persons (including children) with reduced physical, sensory or mental capabilities, or lack of experience and knowledge, unless they have been given supervision or instruction concerning use of the appliance by a person responsible for their safety. Children should be supervised to ensure that they do not play with the appliance.
- The appliance is fitted with means for disconnection from the supply mains having a contact separation in all poles that provide full disconnection under overvoltage category III conditions, and these means must be incorporated in the fixed wiring in accordance with the wiring rules.

Installation instructions

- 1) Remove the front panel. (Fig.5)
 Remove the air filter. (Fig.6)
 Remove screw at the bottom of the front panel. (Fig.7)
 Open the panel cover.
- 2) Remove the screws fix the chassis-fixing board and cabinet.
 some Models have two more screws on the back of the cabinet. (Fig.8)
- 3) Grasp the handle on the front of the chassis and carefully slide the air conditioner unit out of the cabinet. (Fig.9)
- 4) Install the drain tube connection into the hole provided at the rear of the air conditioner chassis.(Fig.11)
 (Available for Only)
 To meet different requirement of different type of air conditioner, there are two kinds of methods for your choice to treat the condensed water. You can choose back drainage or bottom drainage.
 Bottom drainage way: the drain tray is fixed in position through four pcs of screws, and use the flare nut to block the back drainage hole.(Fig.15)
 Back drainage way: using the flare nut to block the bottom drainage hole, and use water outlet pipe to connect the back drainage hole, pay attention to increase the sealing ring to prevent water leakage.(Fig.16)
- 5) Install the air conditioner cabinet on the installation shelf (not included) with screws.(Fig.10)
- 6) Carefully slide the unit back into the cabinet.(Fig.12)
- 7) Reinstall the retaining bracket, front panel and mounting screws.(Fig.8,7,13)
- 8) Reinstall the air filter.(Fig.14)

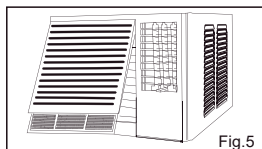


Fig.5

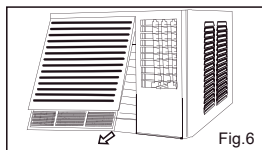


Fig.6

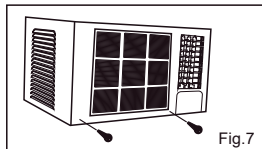


Fig.7

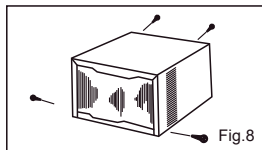


Fig.8

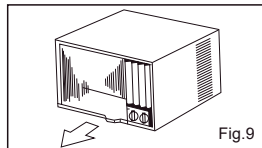


Fig.9

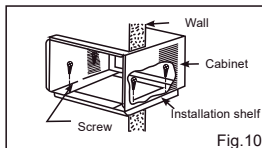


Fig.10

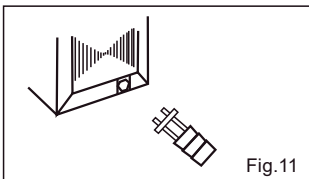


Fig.11

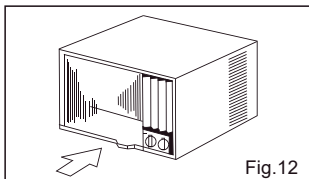


Fig.12

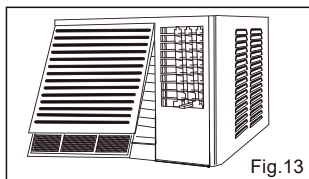


Fig.13

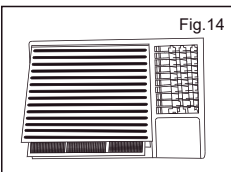


Fig.14

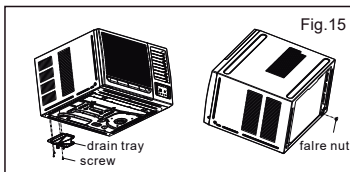


Fig.15

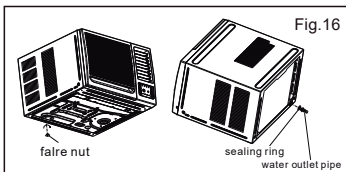


Fig.16

Care and Maintenance

AIR FILTER

- The air filter should be washed at least once a month. If the air filter remains full of dust, the air flow will decrease and the cooling capacity will be reduced.
- The filter is behind the cover and to be pulled out from right hand side.
- Wash the air filter with water an detergent.
- Rinse with clean water and dry it before reinstalling.

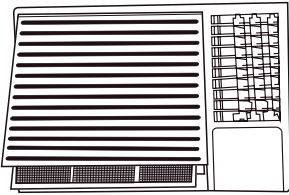


Fig.15

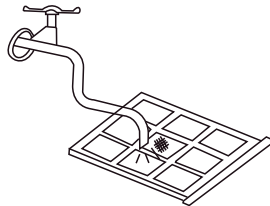


Fig.16

⚠ CAUTION

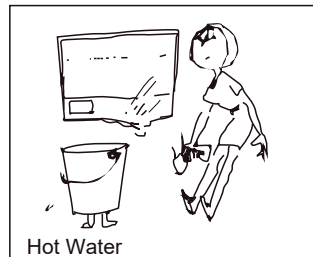
- Do not use hot water above 40°C for washing the air filter.
- Let the filter dry thoroughly in the shade before reinstalling. Do not expose it directly on the sun.
- Do not operate the air conditioner with the filter removed.
- T1 condition: The ambient temperature for cooling: 18~43°C;
The ambient temperature for heating: -5~20°C.
- T3 condition: The ambient temperature for cooling: 25~52°C;
The ambient temperature for heating: -5~20°C.

AIR CLEANING FILTER

- The air cleaning filter is attached to the air filter. Wash the air cleaning filter as well when wash air filter.

FRONT COVER, ETC

- The front cover will accumulate dirt and dust. To clean it, wipe it with a soft dry cloth. When it is excessively dirty, wipe it with a soft cloth dampened with warm water or mild soap, then wipe it again thoroughly with a soft dry cloth.



Troubleshooting Guide

- Never use hot water above 50°C, benzine, gasoline, acid, thinner or brush to wipe off dirt because they will damage the plastic surface and the coating.

LONG OFF PERIOD MAINTENANCE

- Operate the fan alone ("LOW FAN" or "HIGH FAN") for half a day to dry out the inside of the unit.
- Turn off power and remove plug from wall socket.
- After a long off period and going to use the air conditioner again, clean the CONDENSER (at the rear) and EVAPORATOR (at the front) fins by using a soft brush or vacuum cleaner.

CAUTION

- Be careful not to damage the fins during the cleaning.

BEFORE ASKING FOR SERVICE

Check the following points before requesting for repairs or service. If the malfunction persists, please contact our customer service.

Faults	Cause
Does not operate	<ul style="list-style-type: none">① Is the power off?② Is the fuse blown?③ Is the voltage extremely high or low?④ Is the operation dial set to "off"?
Does not cool effectively	<ul style="list-style-type: none">① Is the air filter remain full of dust or dirt? See air filter instructions on page 9.② Is the sunlight fall directly on the unit?③ Is the air flow on the rear side obstructed? Leave a space of 500mm behind the rear side of the air condition?④ The doors or windows may be opened widely or there are other sources of heat in the room?⑤ The temperature dial may not set to the colder position. Turn the dial further clockwise.⑥ Is the ventilation damper opened?

Warranty and customer service

The warranty does not apply in case of:

- Normal wear and tear of the product.
- Improper use, for example, overloading the device and the use of non-approved accessories.
- If the product has been tampered with; damaged, repaired by unauthorized persons or any wrong use.
- Does not apply if there was use of force or any damage caused by external or internal influences.
- Damage caused by non-observance of the instruction manual, for example, connection to a network improper power supply or failure to follow installation instructions.
- Device partially or totally dismantled.
- This warranty is limited to manufacturing defects.

Please attach your sales receipt to this manual and save it for future use if needed.

Proof of purchase is required under these warranty conditions.

Warranty and more information please contact us at:



atencion@saysgroup.com



+58412 50 500 50 (Whatsapp)



0501-SAYS501 (0501-7297501)



Saysgroup.com



PERSONALIZED ATTENTION

**INSURED
WARRANTY**